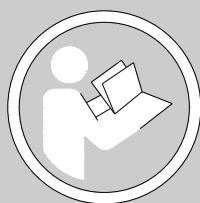
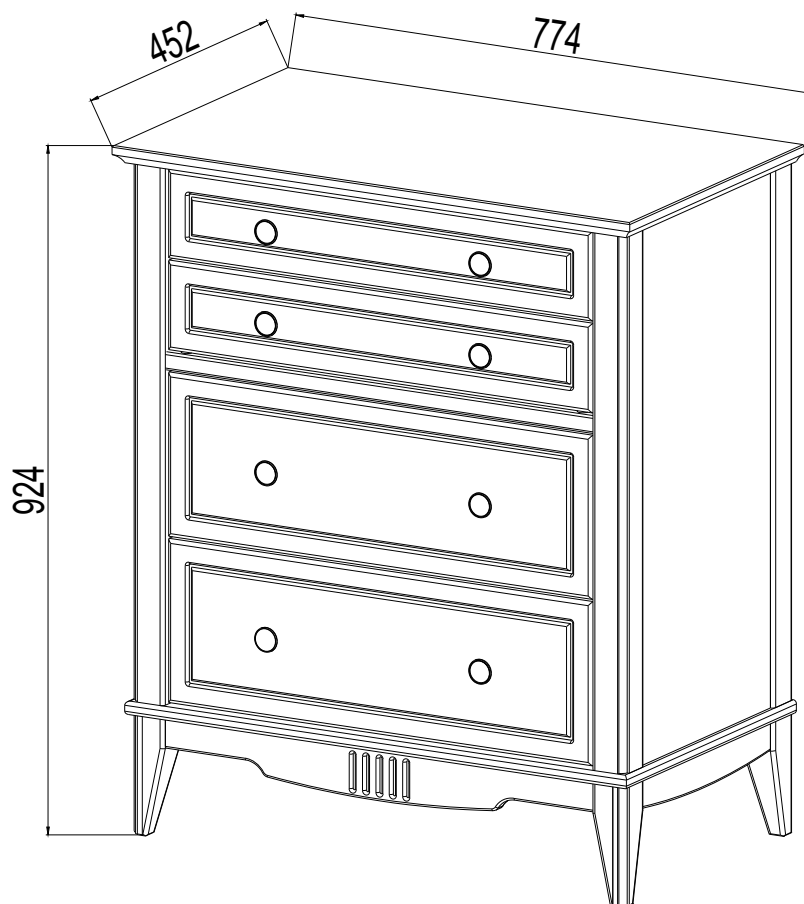


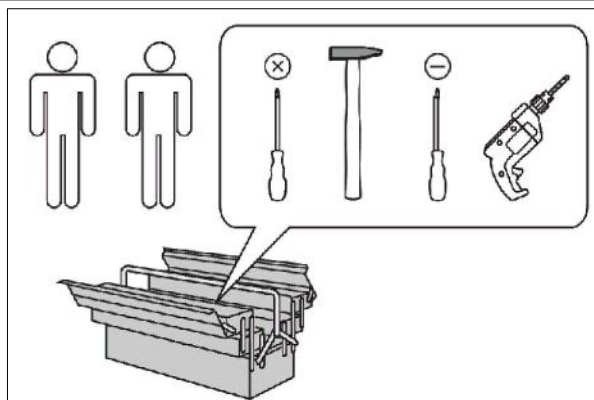
Комод 022 Пенни



Прежде чем приступить к сборке, ознакомьтесь с памяткой на обороте

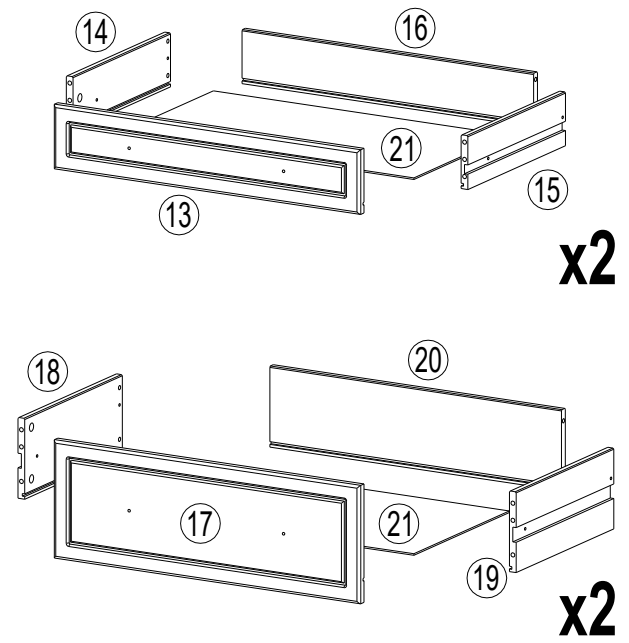
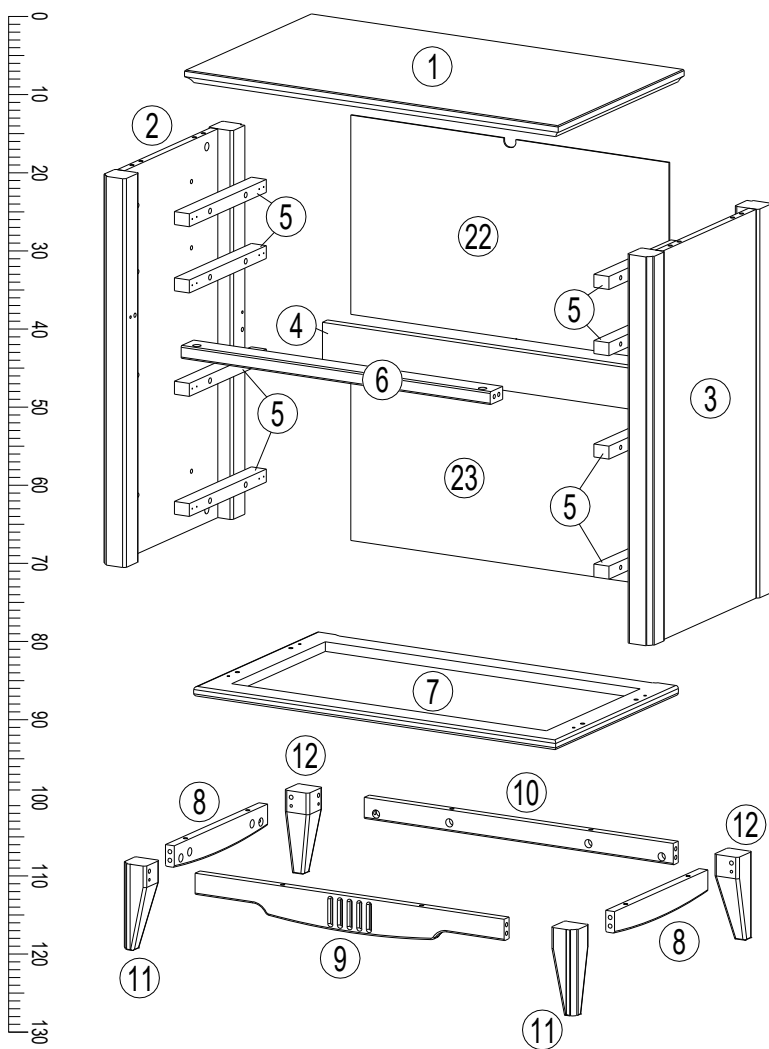


- | | | | |
|-----------|------------------------------------|-----------|--------------------------------|
| D | Montageanleitung | GB | Assembly instructions |
| FR | Notice de montage | IT | Istruzioni di montaggio |
| NL | Handleiding voor de montage | PL | Instrukcja montażu |
| CZ | Montážní návod | SK | Návod na montáž |
| HU | Szerelési útmutató | RO | Instrukțiuni de montaj |
| TR | Montaj talimatı | RU | Инструкция по монтажу |

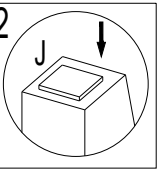
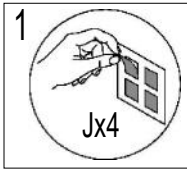
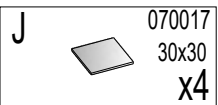
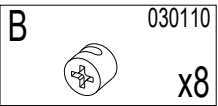
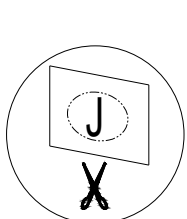
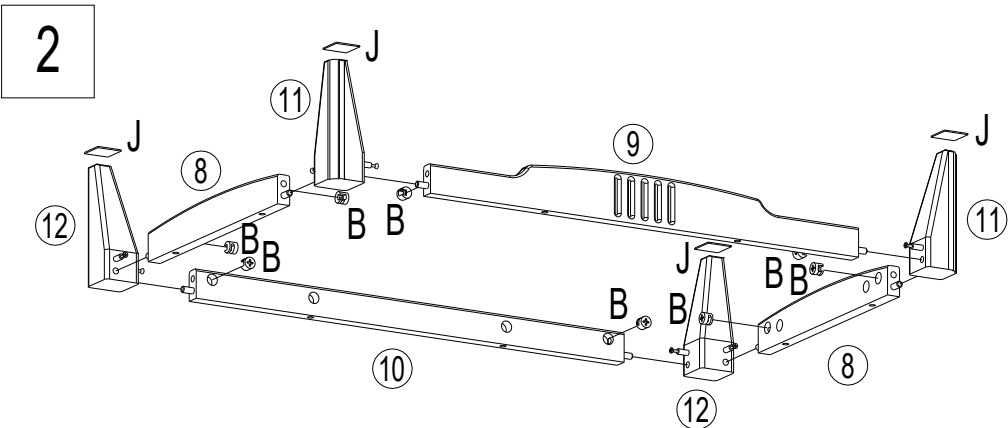
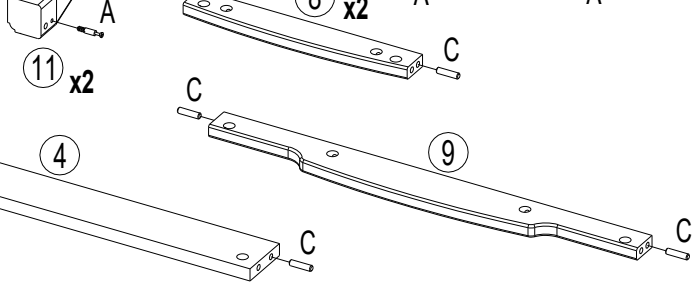
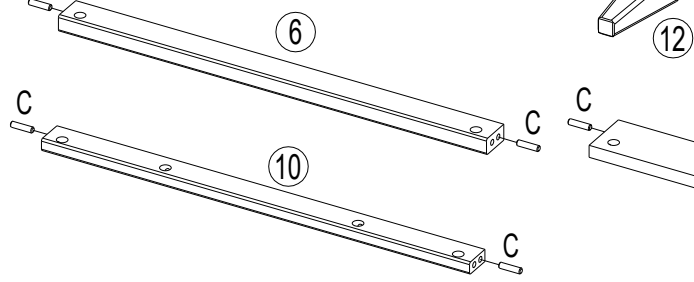
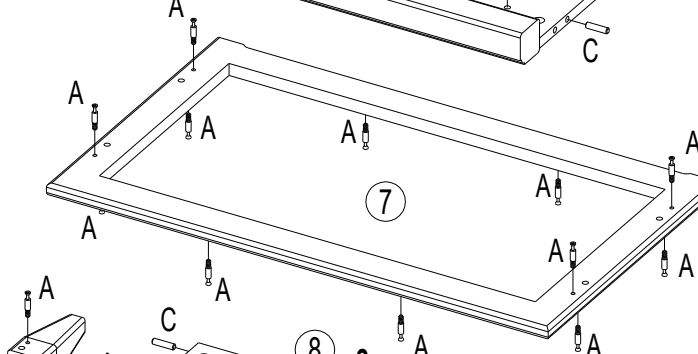
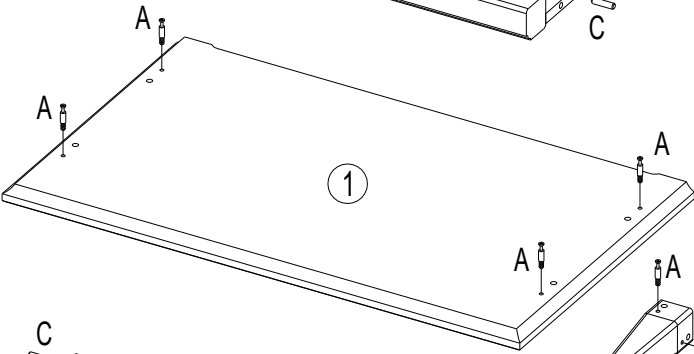
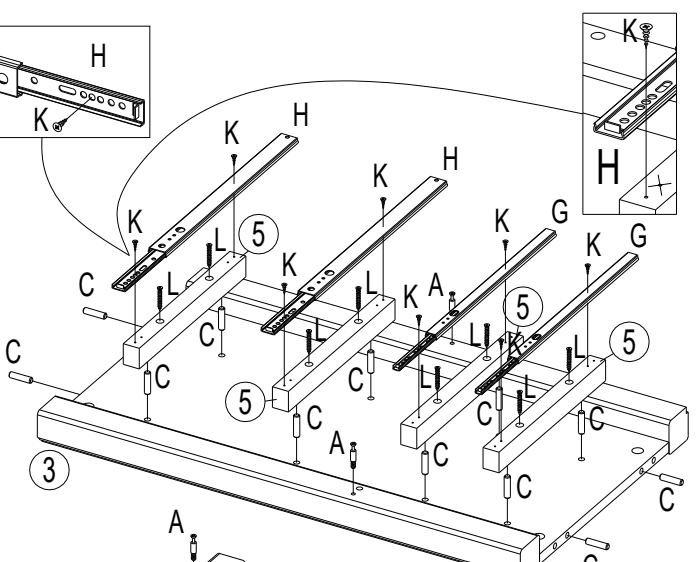
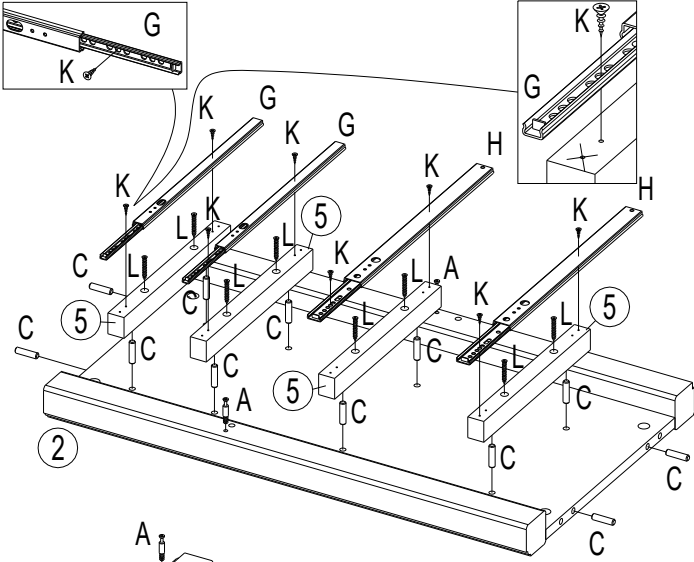
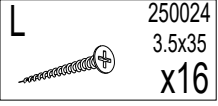
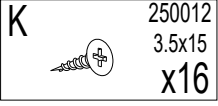
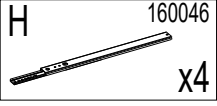
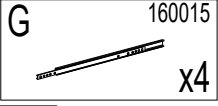
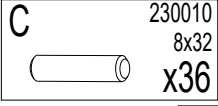
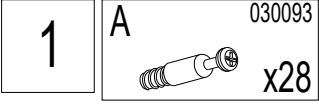
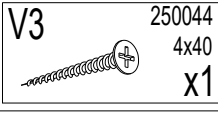
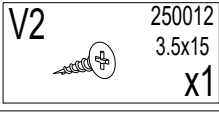
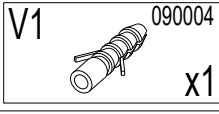
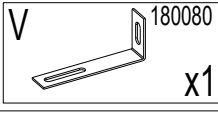
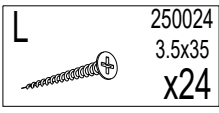
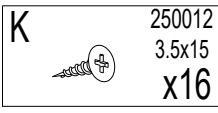
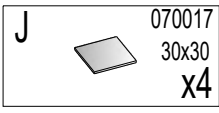
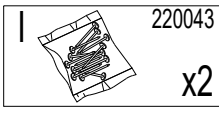
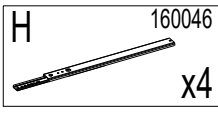
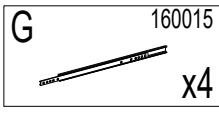
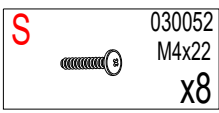
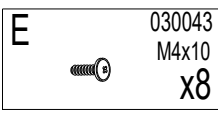
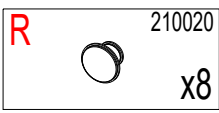
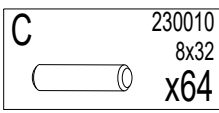
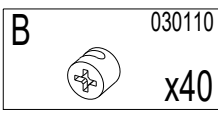
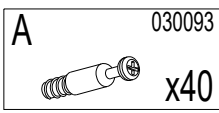


1-5

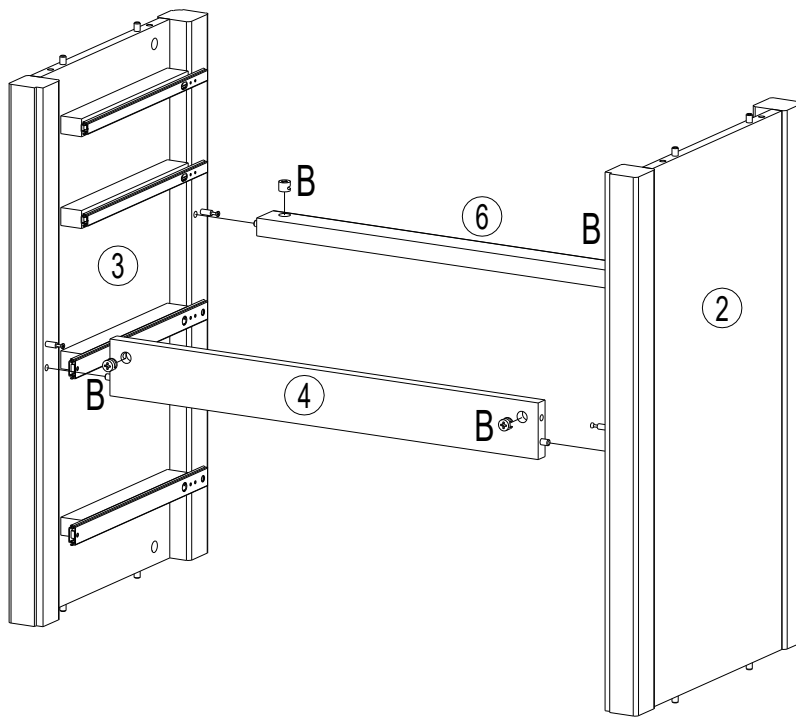
EAC




№	Size/MaB (mm)	Qty	✓	№	Size/MaB (mm)	Qty	✓
1	774x452x24	1		13	634x120x18	2	
2	722x435x50	1		14	350x100x14	2	
3	722x435x50	1		15	350x100x14	2	
4	640x76x18	1		16	604x100x14	2	
5	276x31x24	8		17	634x220x18	2	
6	640x45x24	1		18	350x150x14	2	
7	750x440x18	1		19	350x150x14	2	
8	335x50x18	2		20	604x150x14	2	
9	640x68x18	1		21	613x342x3	4	
10	640x40x18	1		22	659x370x3	1	
11	160x50x50	2		23	659x370x3	1	
12	160x50x50	2					




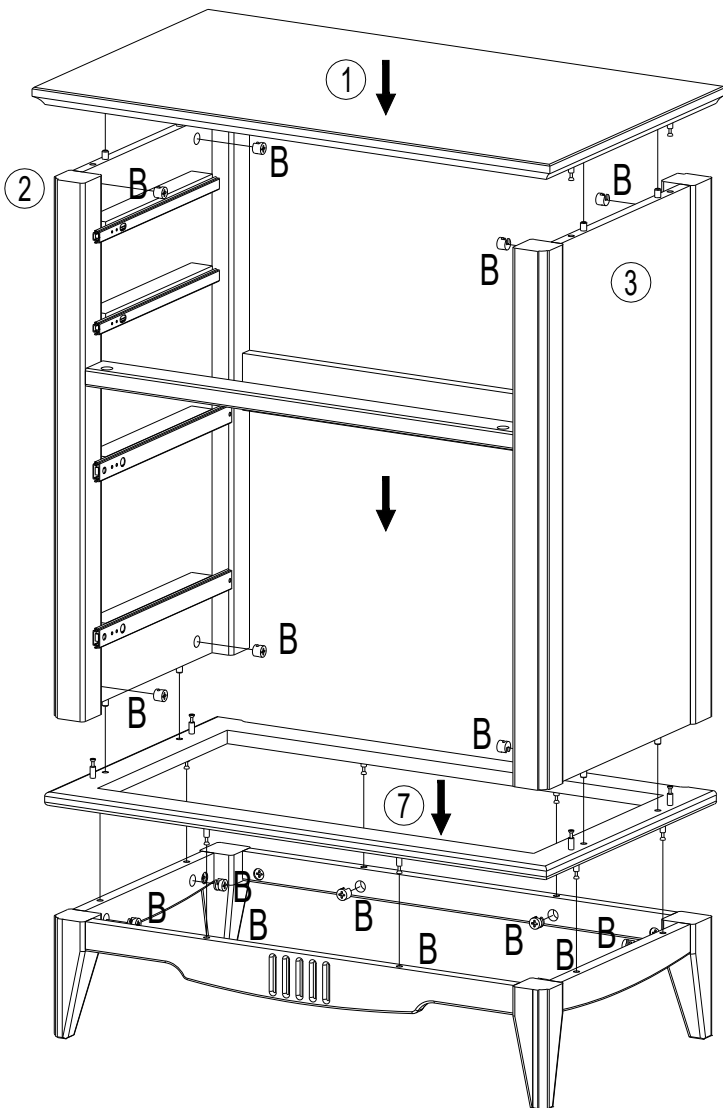
3



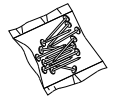
B 030110
 x4

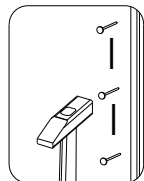
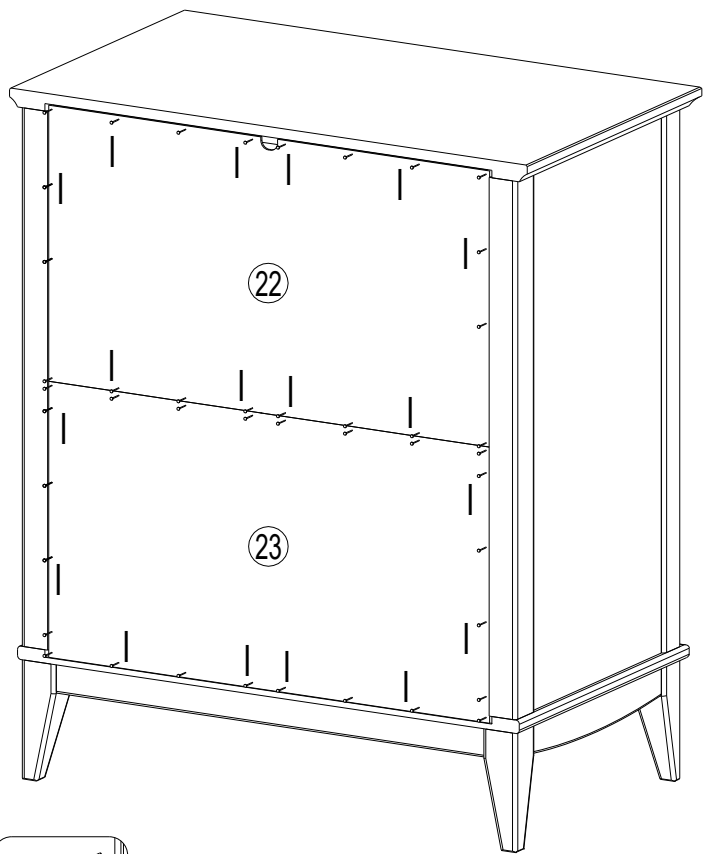
4

B 030110
 x16

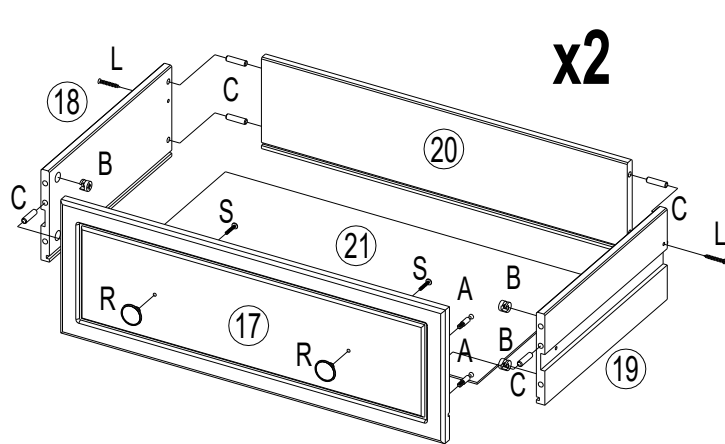
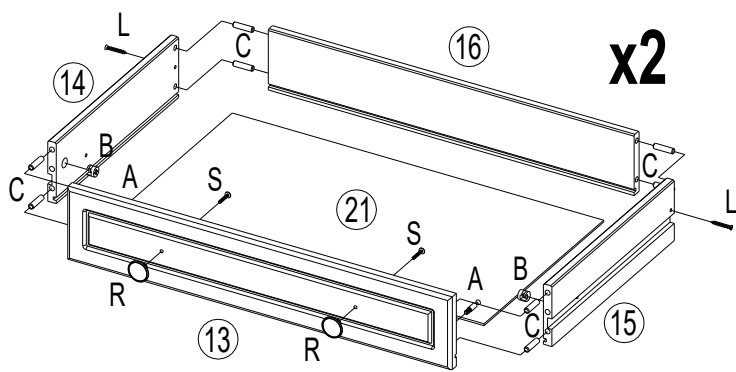


5

I 220043
 x2



- | | | | | | | |
|----------|------------------------|------------------------|--------------------------------|-----------------------|--------------------------------|---------------------------------|
| 6 | A 030093
x12 | B 030110
x12 | C 230010
8x32
x28 | R 210020
x8 | S 030052
M4x22
x8 | L 250024
3.5x35
x8 |
|----------|------------------------|------------------------|--------------------------------|-----------------------|--------------------------------|---------------------------------|



- | | | | | | |
|----------|--------------------------------|-----------------------|------------------------|----------------------------------|--------------------------------|
| 7 | E 030043
M4x10
x8 | V 180080
x1 | V1 090004
x1 | V2 250012
3.5x15
x1 | V3 250044
4x40
x1 |
|----------|--------------------------------|-----------------------|------------------------|----------------------------------|--------------------------------|

