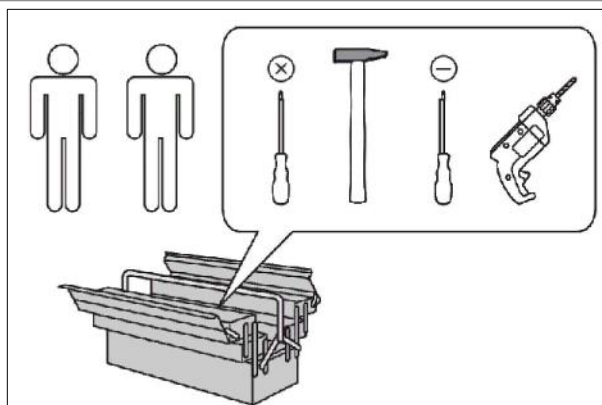
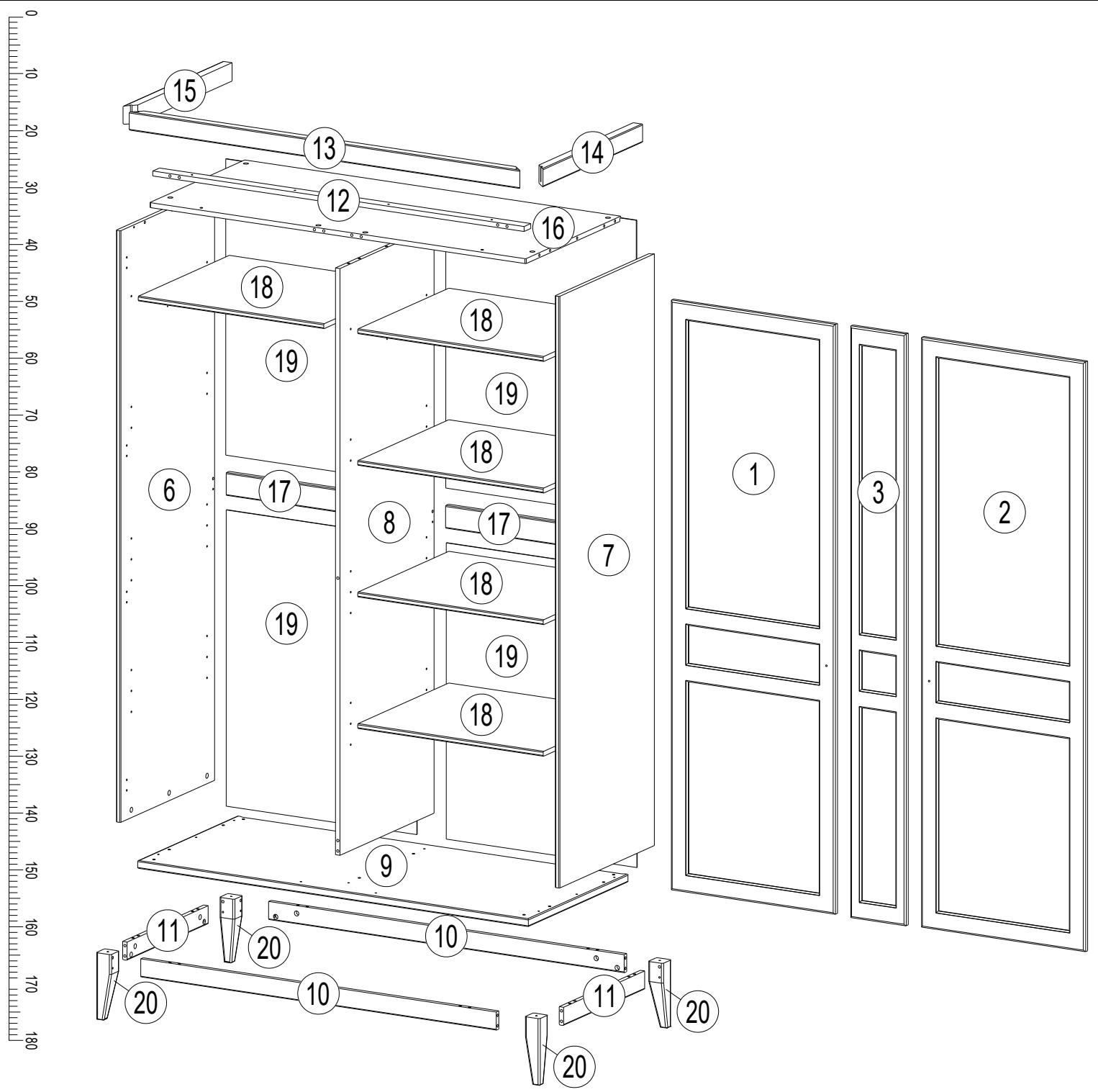


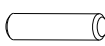
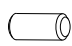


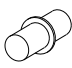
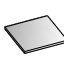

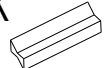






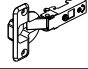
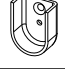
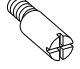
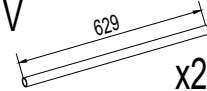

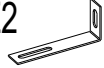




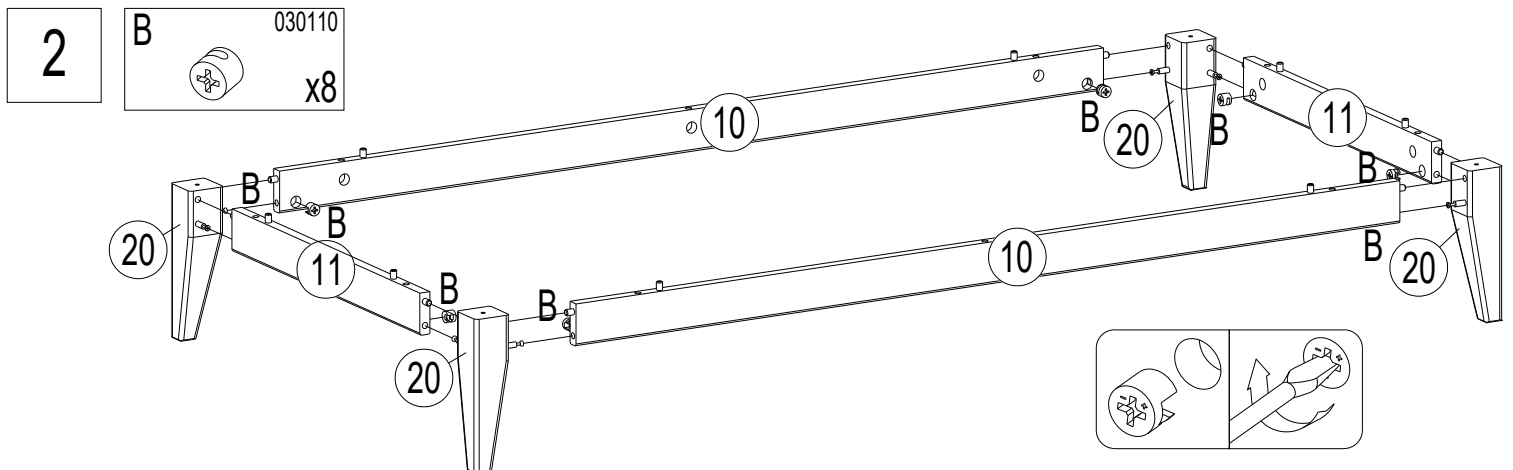
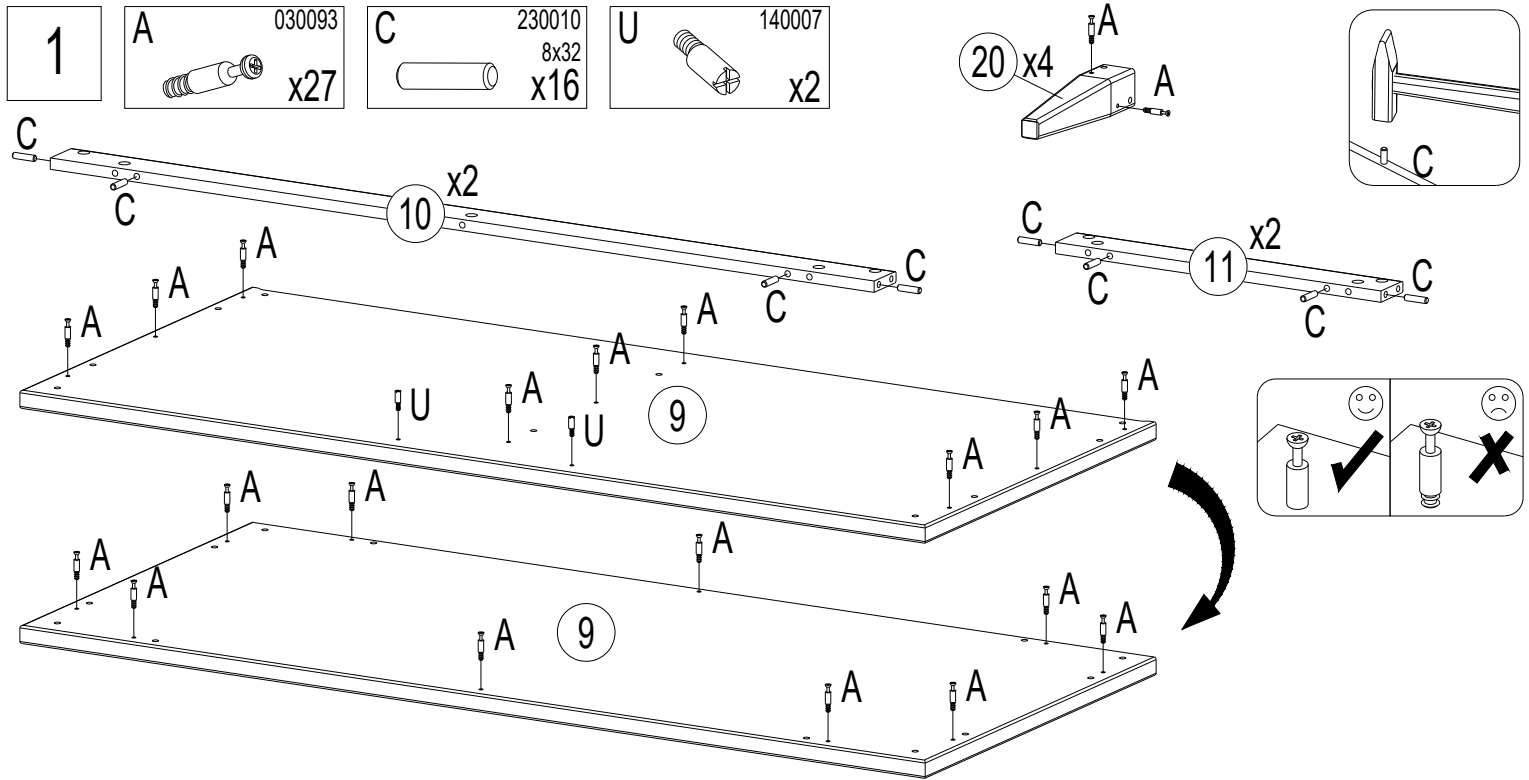
- | | | | |
|-----------|------------------------------------|-----------|--------------------------------|
| D | Montageanleitung | GB | Assembly instructions |
| FR | Notice de montage | IT | Istruzioni di montaggio |
| NL | Handlieding voor de montage | PL | Instrukcja montażu |
| CZ | Montážní návod | SK | Návod na montáž |
| HU | Szerelési útmutató | RO | Instrukțiuni de montaj |
| TR | Montaj talimatı | RU | Инструкция по монтажу |





| | | | | | |
|---|--|--|--|--|---|
| A  030093 x47 | B  030110 x47 | C  230010 8x32 x37 | D  230011 8x20 x2 | E  210137 x2 | F  030052 M4x22 x2 |
| G  190002 x20 | H  070017 30x30 x4 | J  180073 x4 | K  220016 L=46MM x2 | L  250012 3,5x15 x28 | M  250018 3,5x25 x4 |
| N  220043 1,2x20 x5 | O  030033 7x50 x4 | P  110021 SW4 x1 | Q  180088 x8 | R  180099 x8 | T  240067 x4 |
| U  140007 x2 | V  629 x2 | Z1  090004 8x40 x2 | Z2  180080 76x31x15 x2 | Z3  250012 3,5x15 x2 | Z4  250044 4x40 x2 |

| No | Size/MaB (mm) | Qty | ✓ | No | Size/MaB (mm) | Qty | ✓ |
|----|---------------|-----|---|----|---------------|-----|---|
| 1 | 1806x560x18 | 1 | | 12 | 1269x40x15 | 1 | |
| 2 | 1806x560x18 | 1 | | 13 | 1335x56x32 | 1 | |
| 3 | 1812x189x18 | 1 | | 14 | 590x56x32 | 1 | |
| 6 | 1812x562x15 | 1 | | 15 | 590x56x32 | 1 | |
| 7 | 1812x562x15 | 1 | | 16 | 1285x562x15 | 1 | |
| 8 | 1797x557x15 | 1 | | 17 | 635x70x18 | 2 | |
| 9 | 1335x590x24 | 1 | | 18 | 634x540x15 | 5 | |
| 10 | 1215x56x15 | 2 | | 19 | 907x651x3 | 4 | |
| 11 | 480x56x15 | 2 | | 20 | 204x50x50 | 4 | |



6

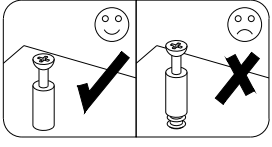
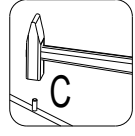
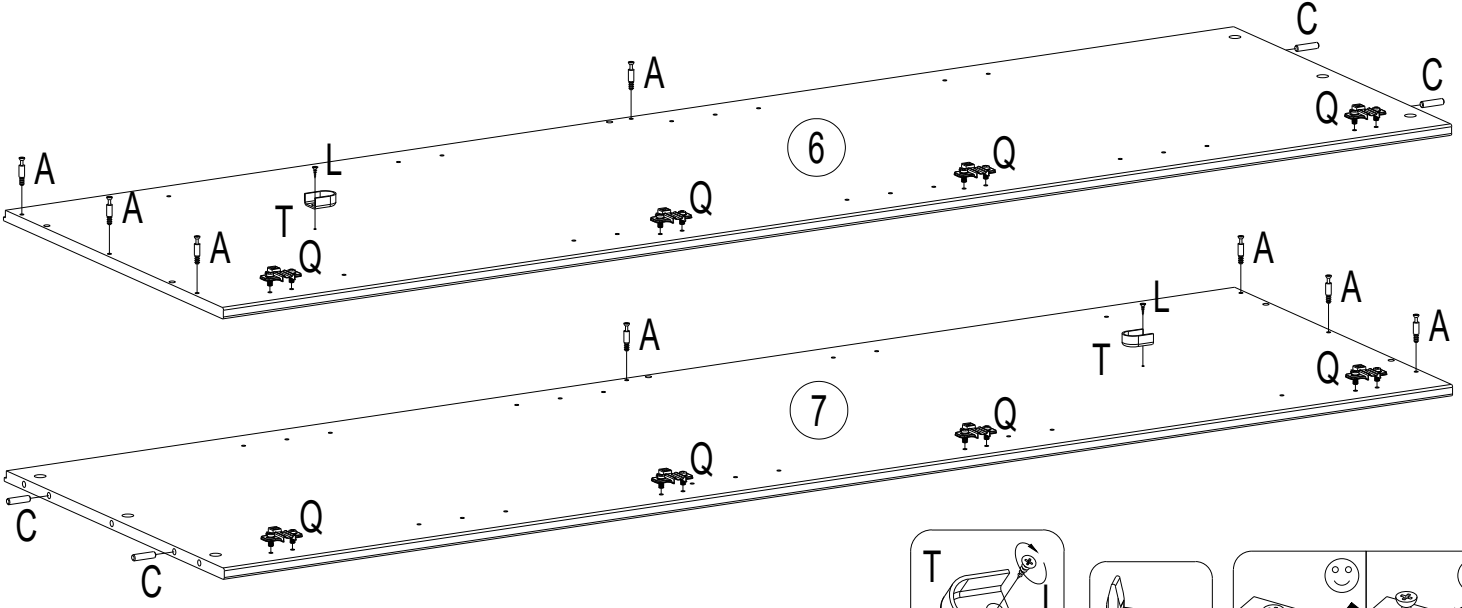
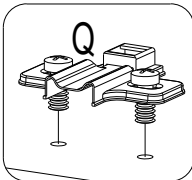
A 030093 x8

C 230010 8x32 x4

L 250012 3,5x15 x2

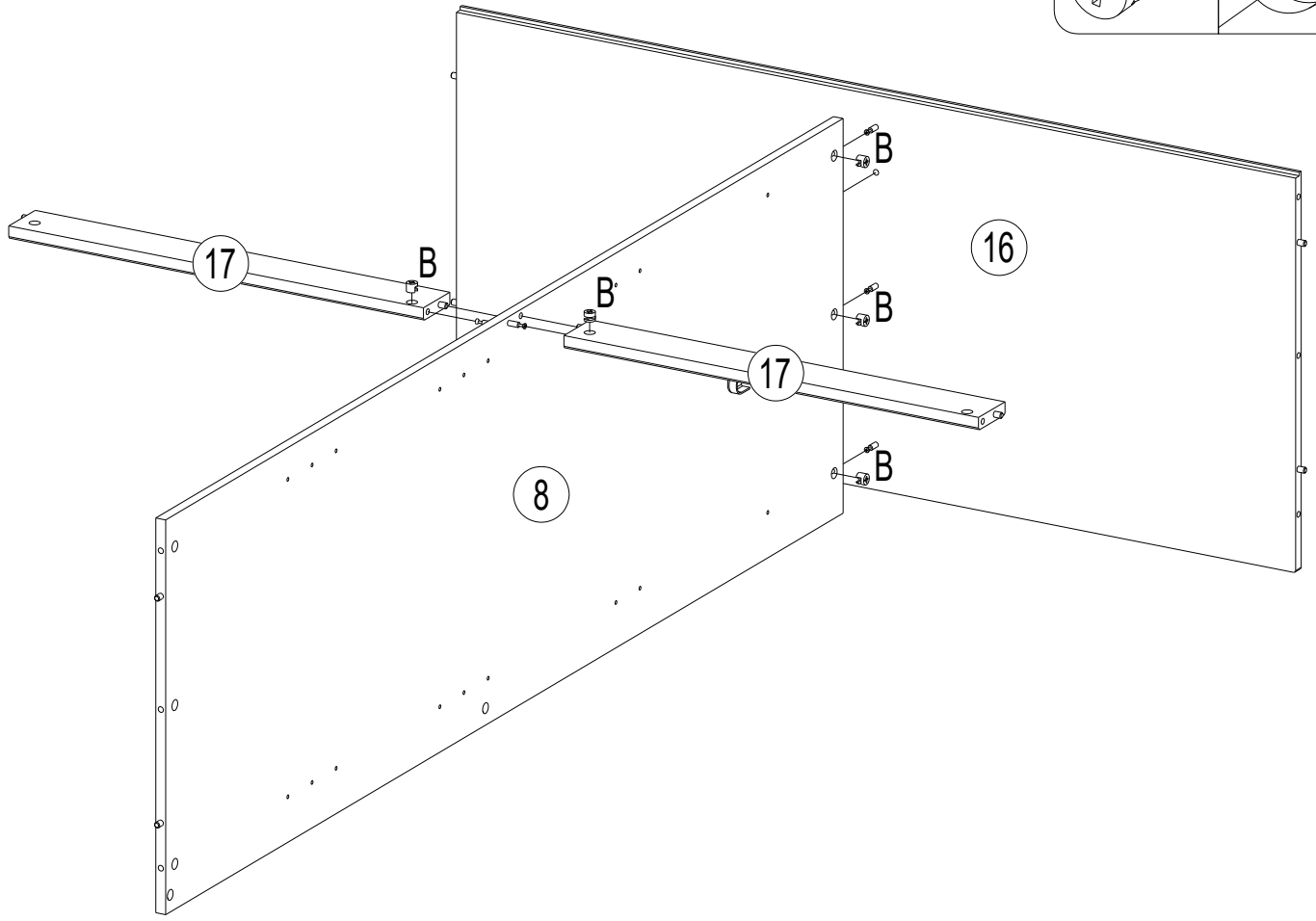
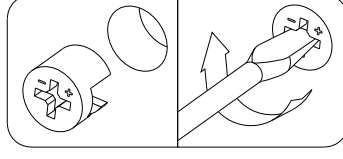
Q 180088 x8

T 240067 x2



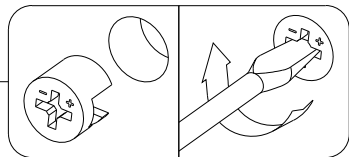
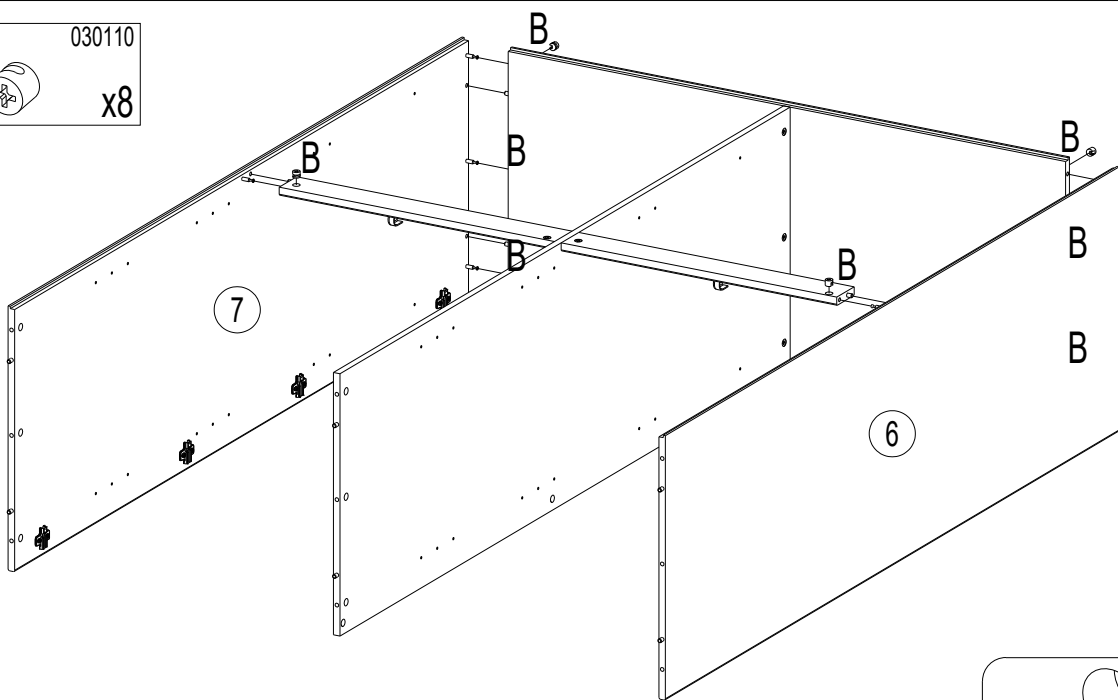
7

B 030110 x5



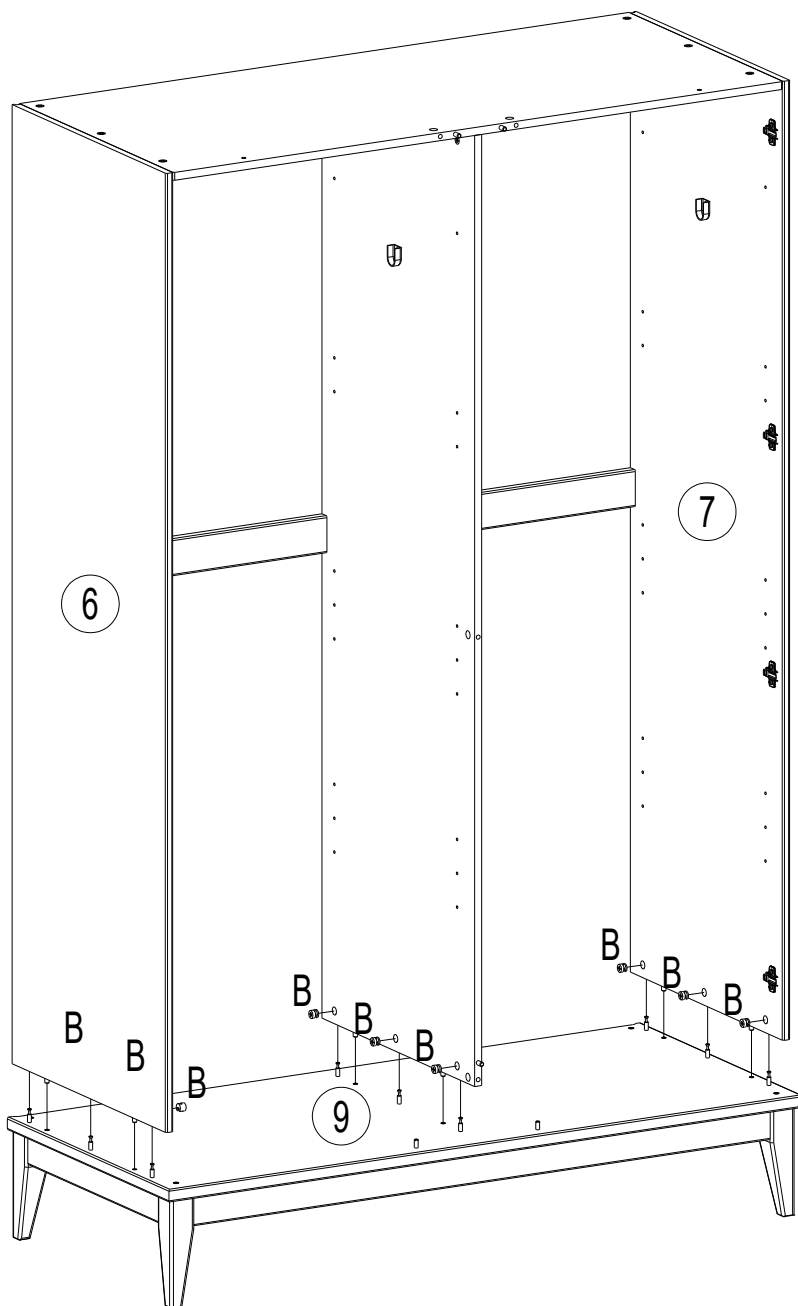
8

B 030110
x8



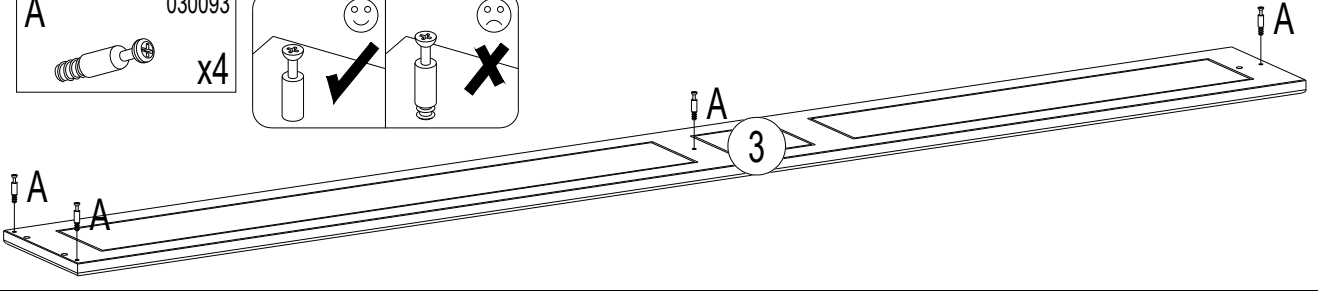
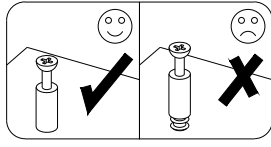
9

B 030110
x9



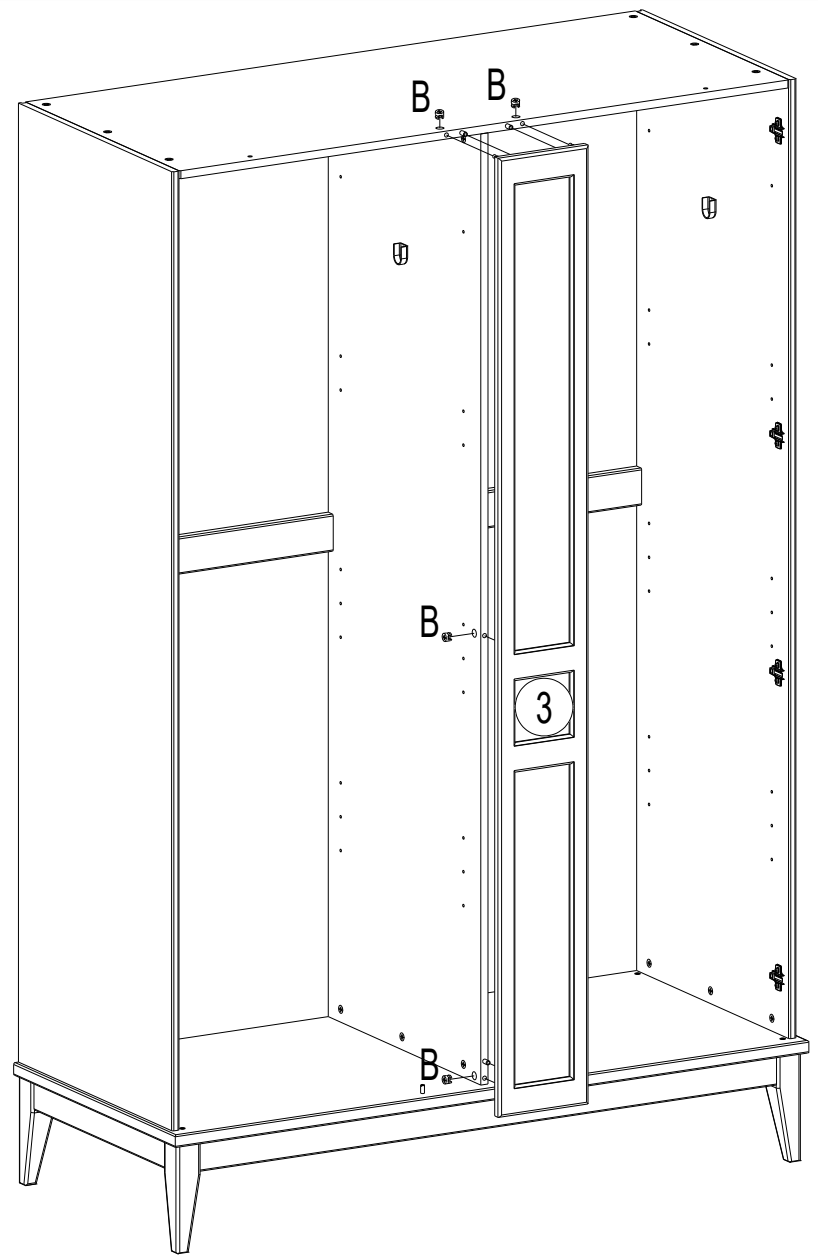
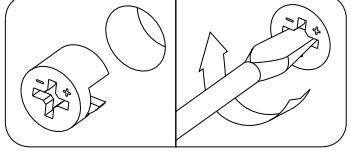
10

A 030093 x4



11

B 030110 x4

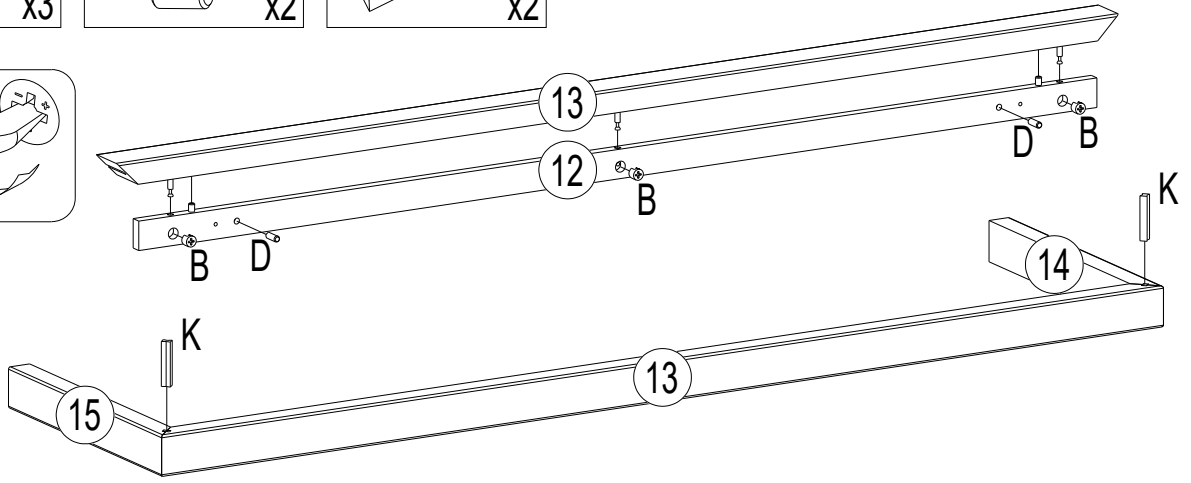
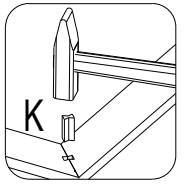
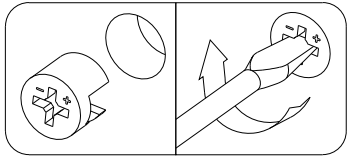


12

B 030110 x3

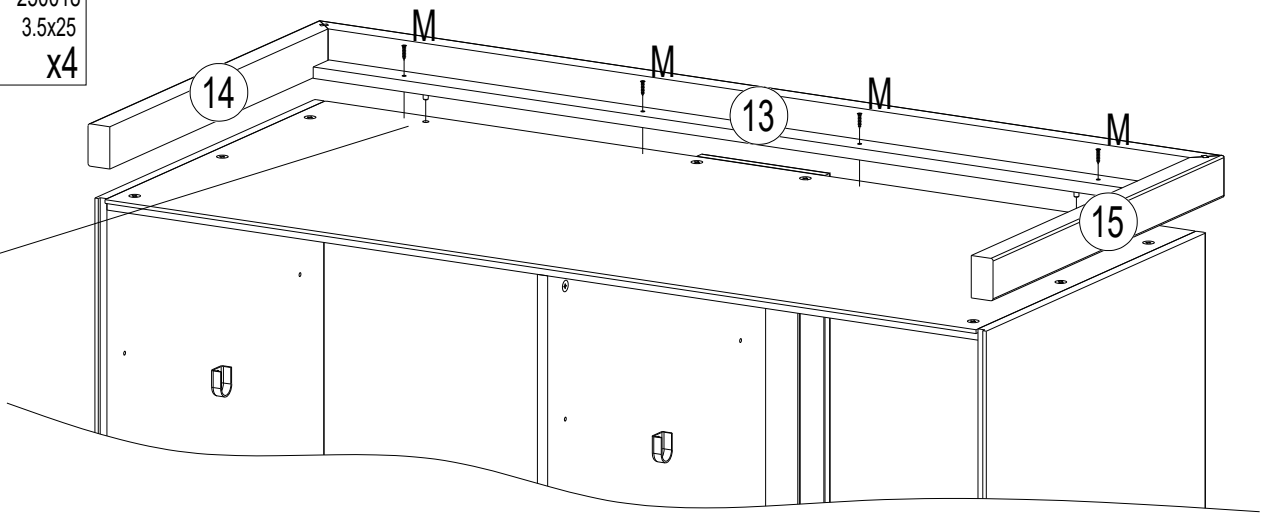
D 230011 8x20 x2

K 220016 L=46MM x2



13

M 250018
3.5x25
x4

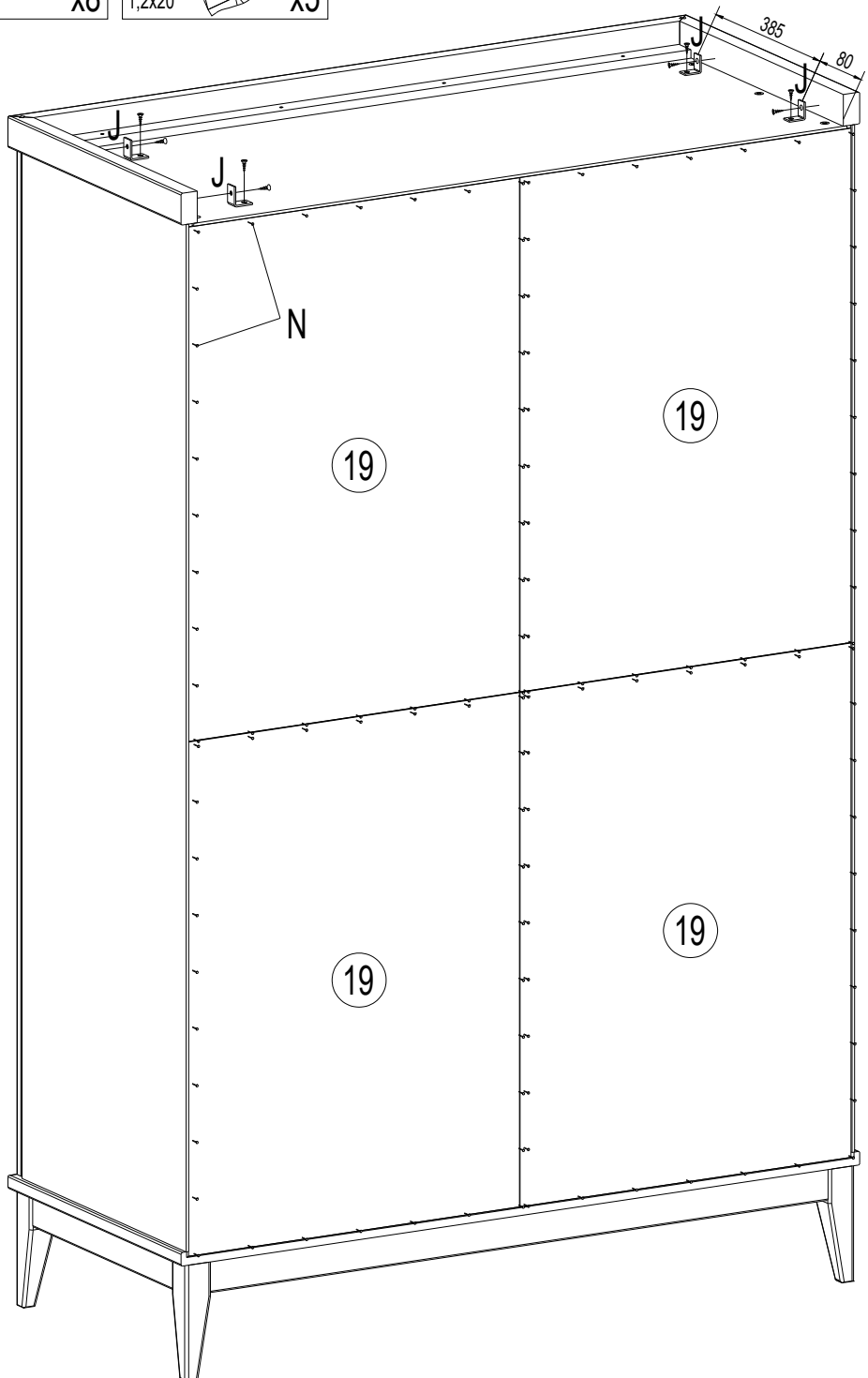
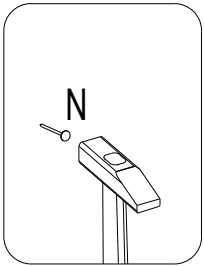
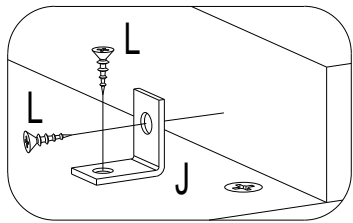


14

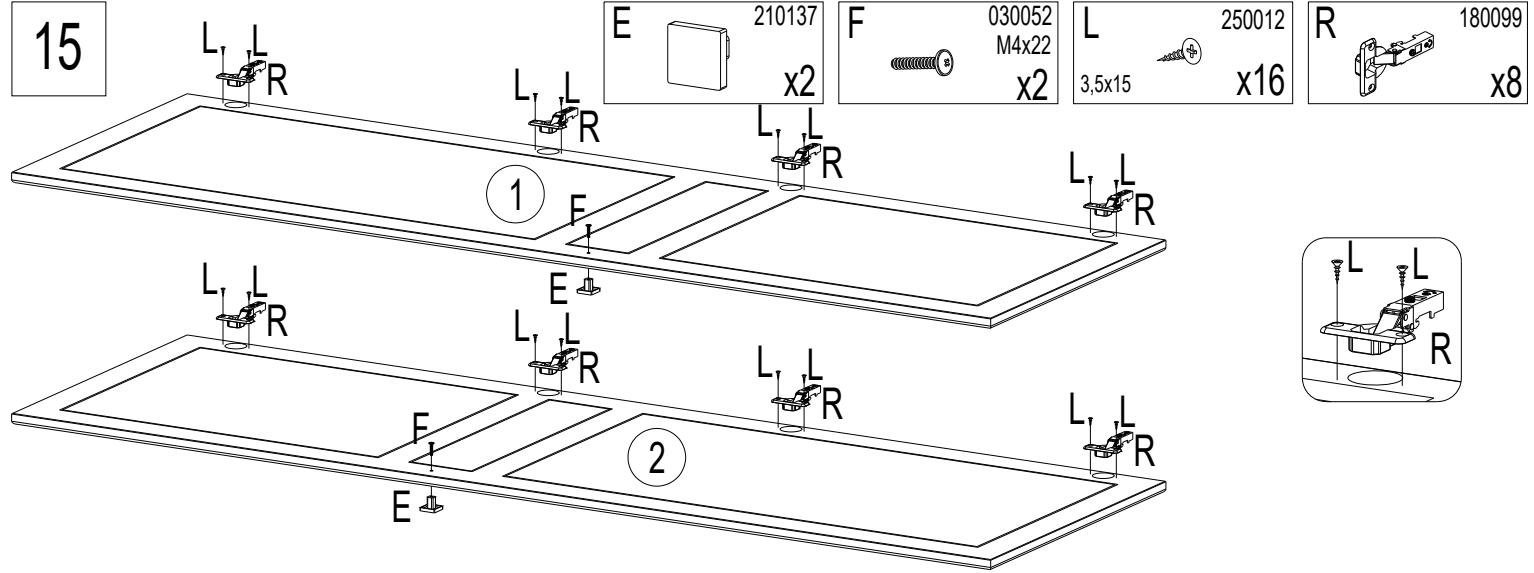
J 180073
x4

L 250012
3,5x15
x8

N 220043
1,2x20
x5



15



E 210137 x2

F 030052 M4x22 x2

L 250012 3,5x15 x16

R 180099 x8

16

G 190002 x24

V 629 x2

Z1 090004 8x40 x2

Z2 180080 76x31x15 x2

Z3 250012 3,5x15 x2

Z4 250044 4x40 x2

